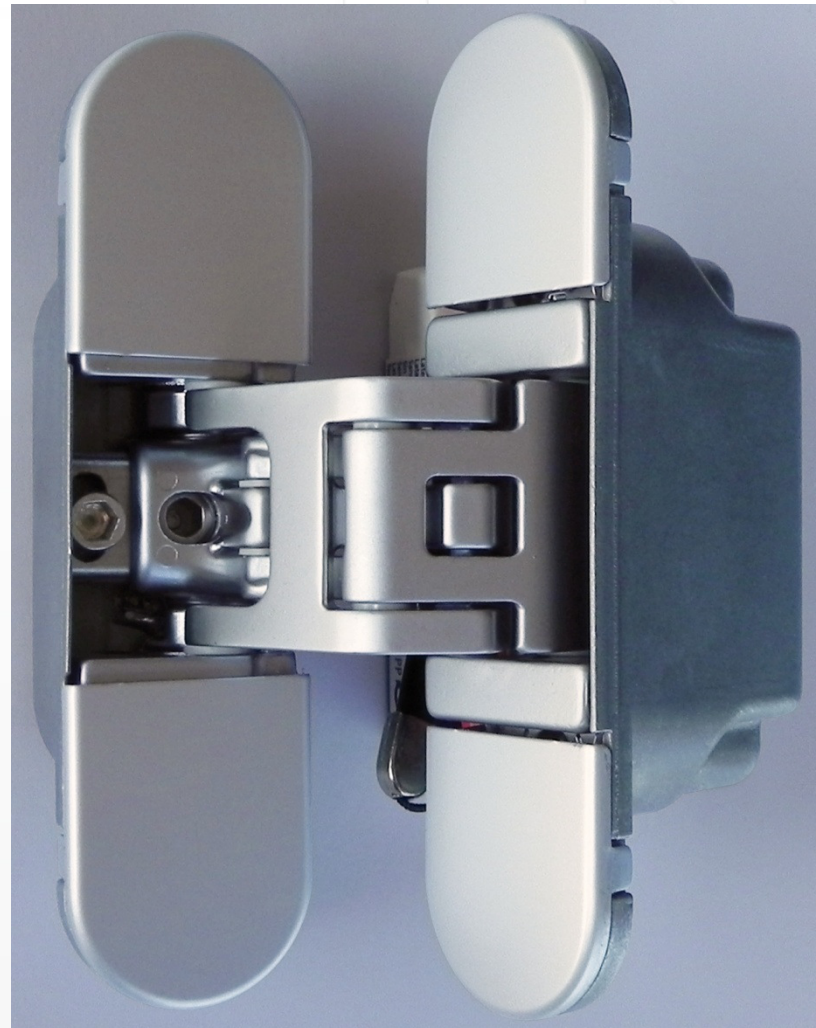


serie
KUBICA

NEW K6700

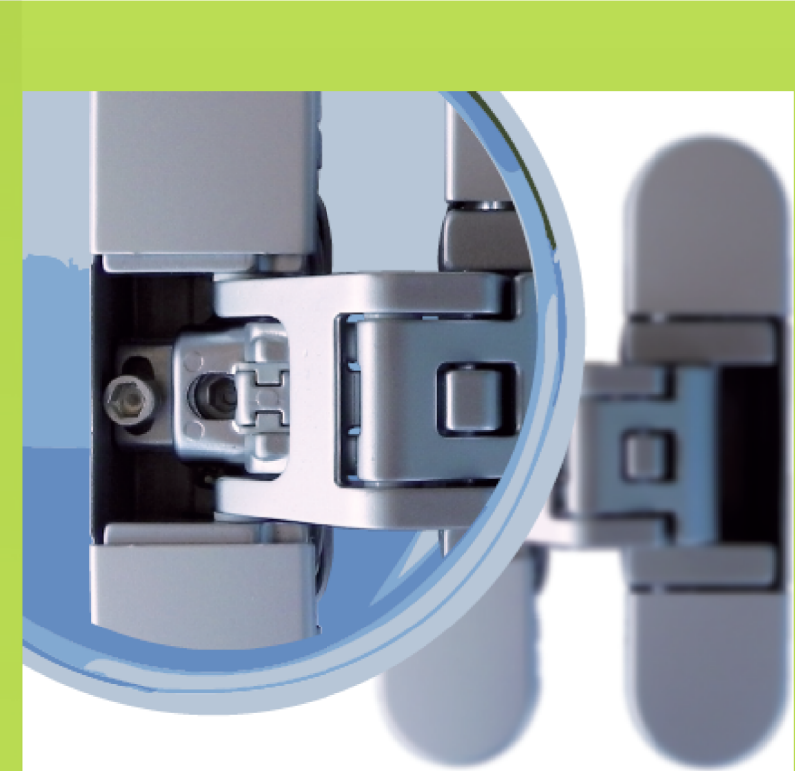
- The Evolution -



New K6700 – The Evolution

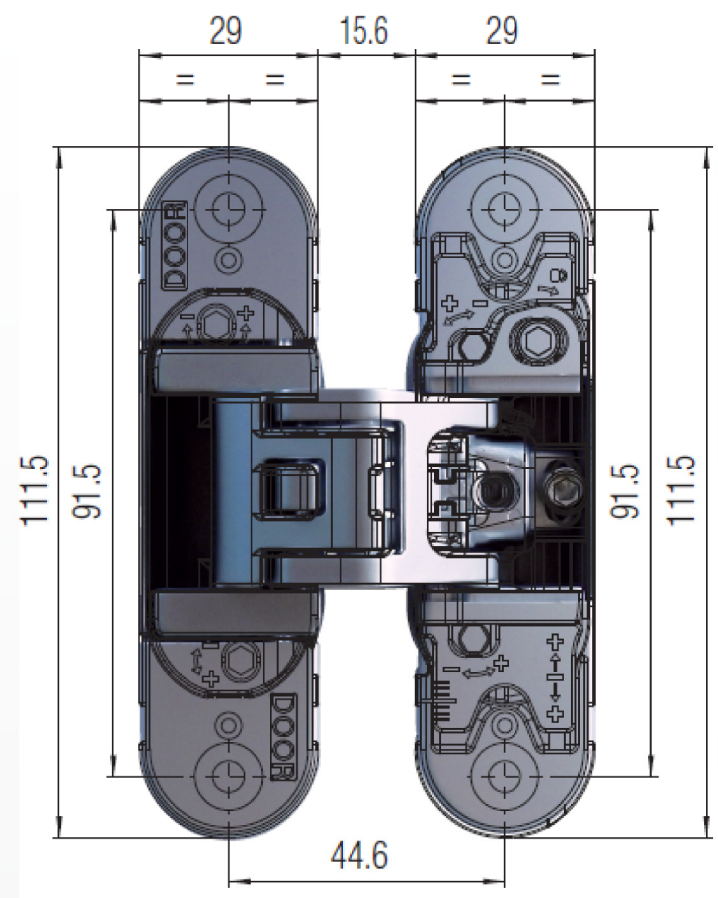
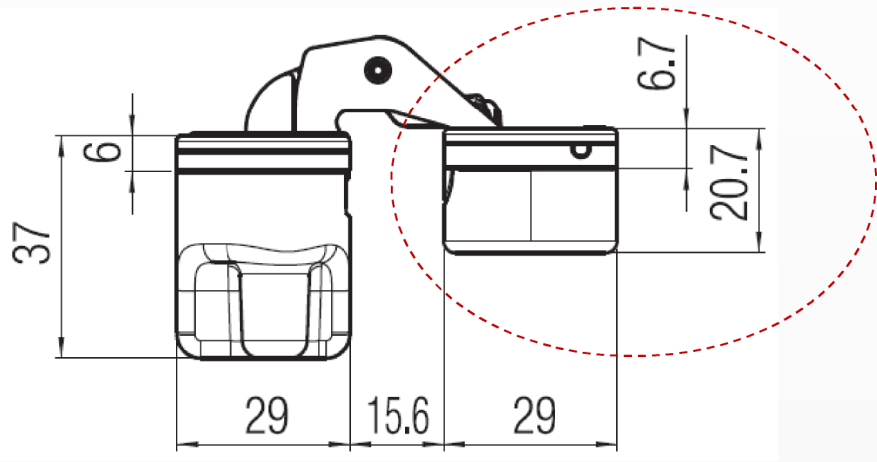
- ★ **3D ADJUSTMENT WITH 3 ASSISTED, INDEPENDENT AND SELF-SUPPORTING ADJUSTMENT:** for an easy and millimetric alignment of the door
- ★ **REVERSIBLE:** it can be used for both left and right opening direction
- ★ **CALIBRATED CAPACITIES:** which allow to use 2 or 3 hinges per door
- ★ **FLUID MOVEMENT:** 5 completely bushed fulcrums prevent the friction abrasion
- ★ **THINNER ON THE JAMB SIDE**
- ★ **SOLID:** antitorsion closed body
- ★ **EASY AND INCREASED ADJUSTMENT:** with the new high precision levers no thicknesses are required on vertical adjustment
- ★ **NEW ELEGANT DESIGN**

PATENTED

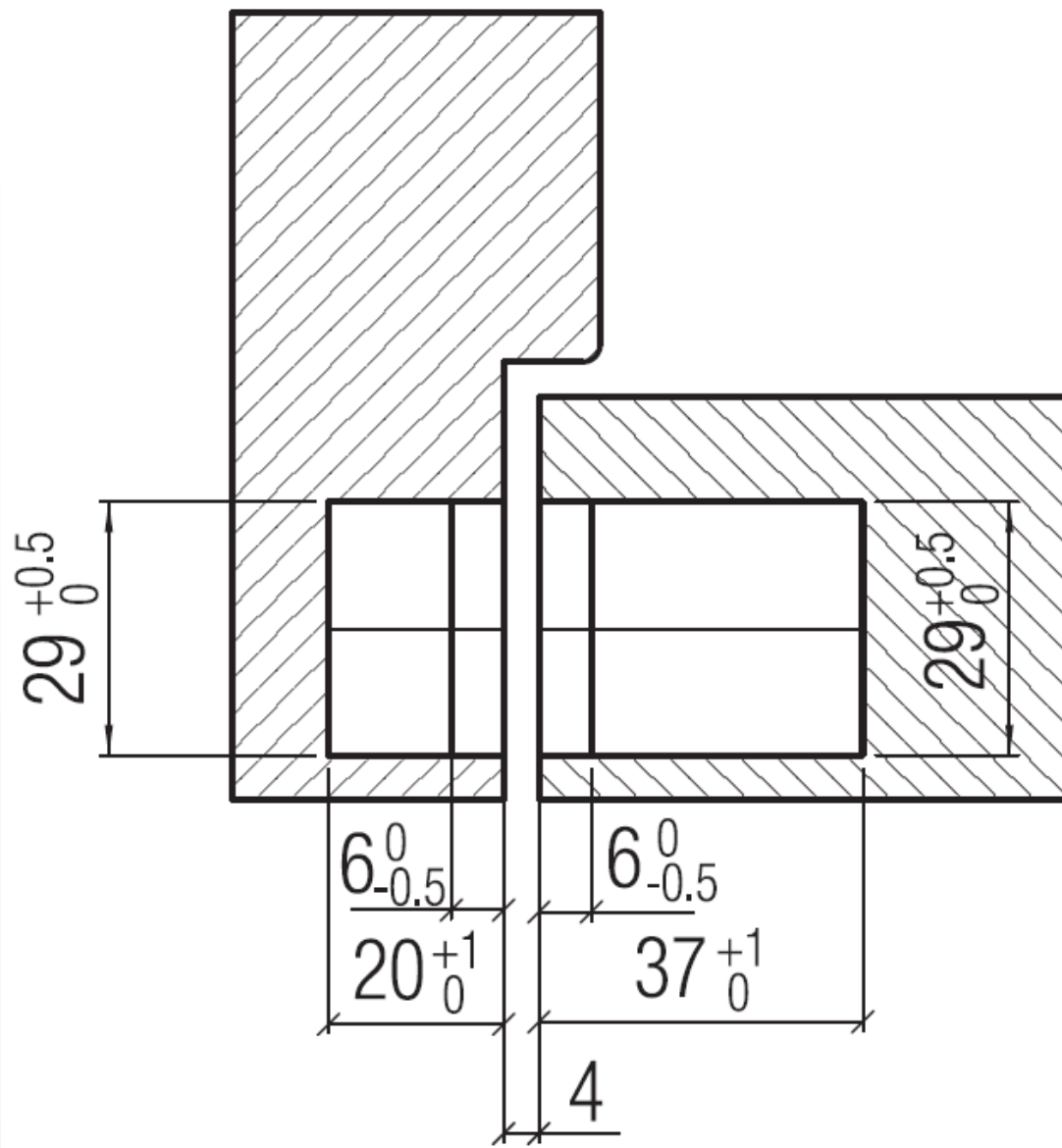


Hinges dimensions

PERFECT INTERCHANGEABILITY
with the previous model



THINNER:
to facilitate installation also
on thin jambs

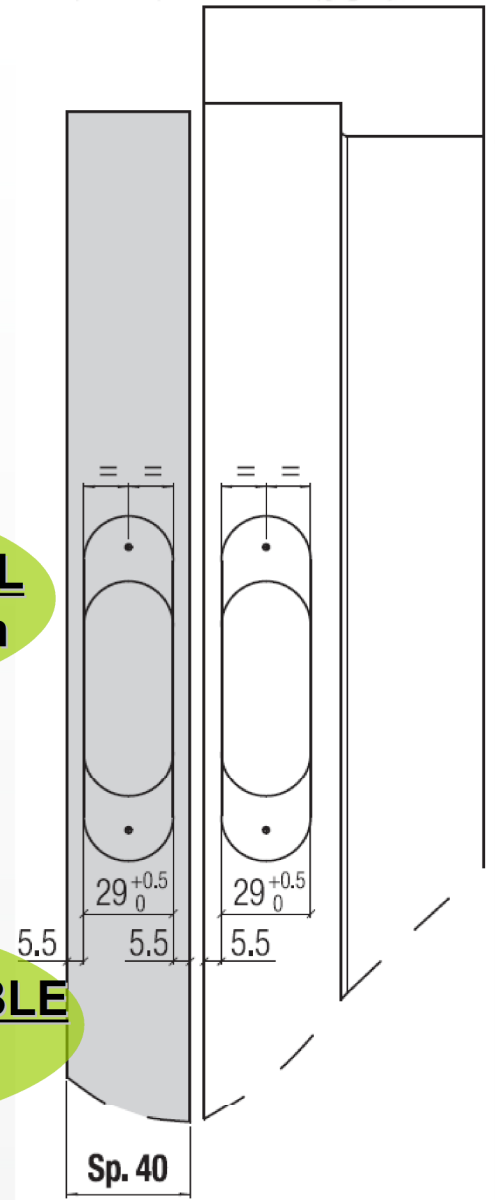


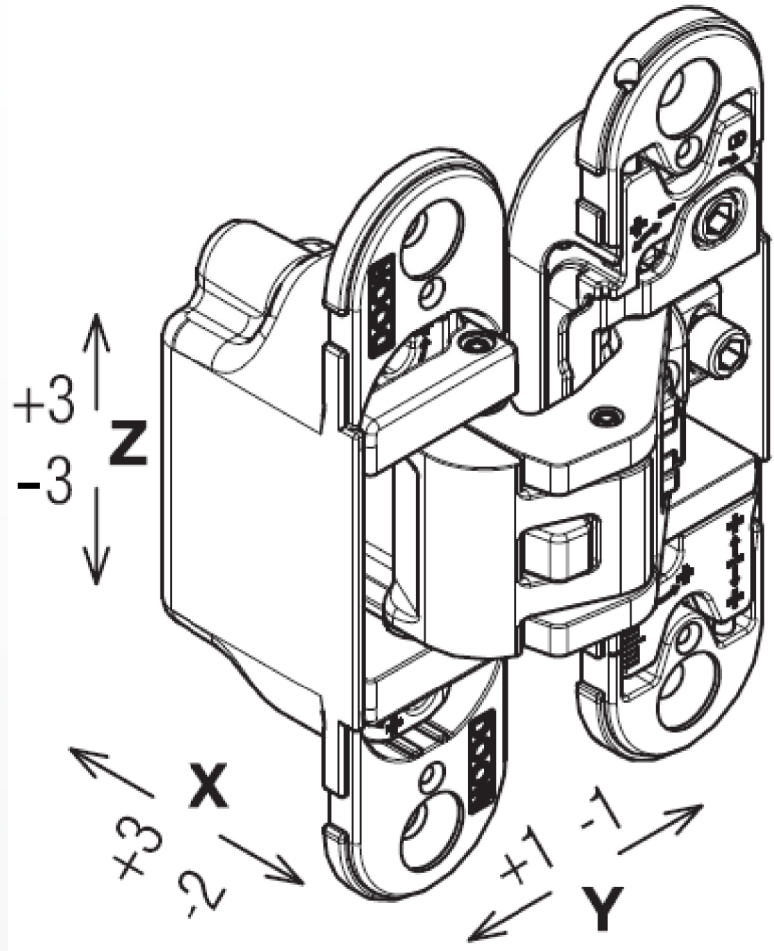
MINIMUM PANEL THICKNESS: 40 mm
MAXIMUM CAPACITY 50 kg with 2 hinges
70 kg with 3 hinges
Test in progress as per Norm: EN1935 / CUAP 04.05/12



CENTERED ON THE PANEL
for panel thickness 40mm

2 KINDS OF COVERS AVAILABLE
with and without screws





INCREASED ADJUSTMENT RANGES

Regolazioni

X: Orizzontale	+3,-2
Y: Profondità	±1
Z: Verticale	±3

PACKAGING AND FINISHINGS



- K 6700 CS** Satin chrome
- K 6700 NS** Satin nickel
- K 6700 OR** Polished gold

PACKAGES OF 3 PIECES
In boxes of 27 hinges

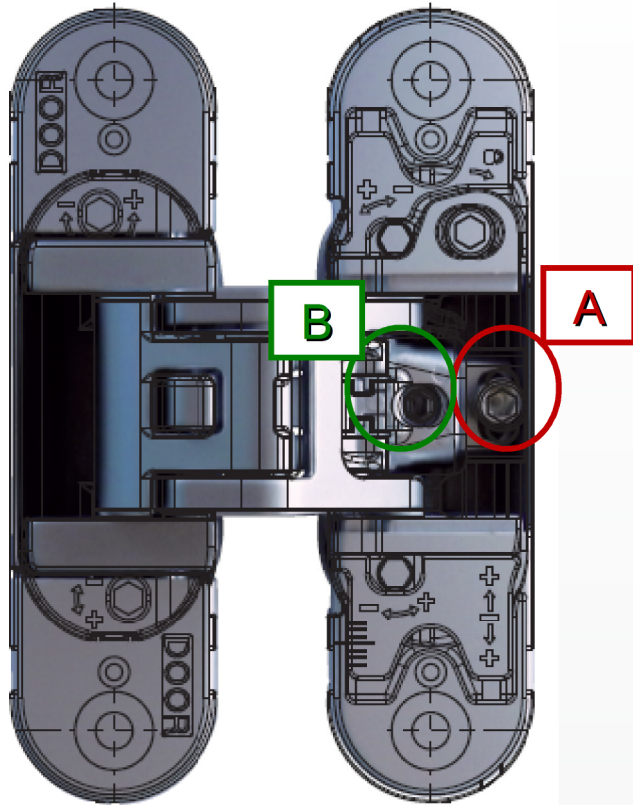


Adjustments - VERTICAL

+ 3 mm



- 3 mm



The vertical adjustment is very easy since no wedges are required below the panel

- Unblock screw **A**
- Operate screw **B**
- Block screw **A**

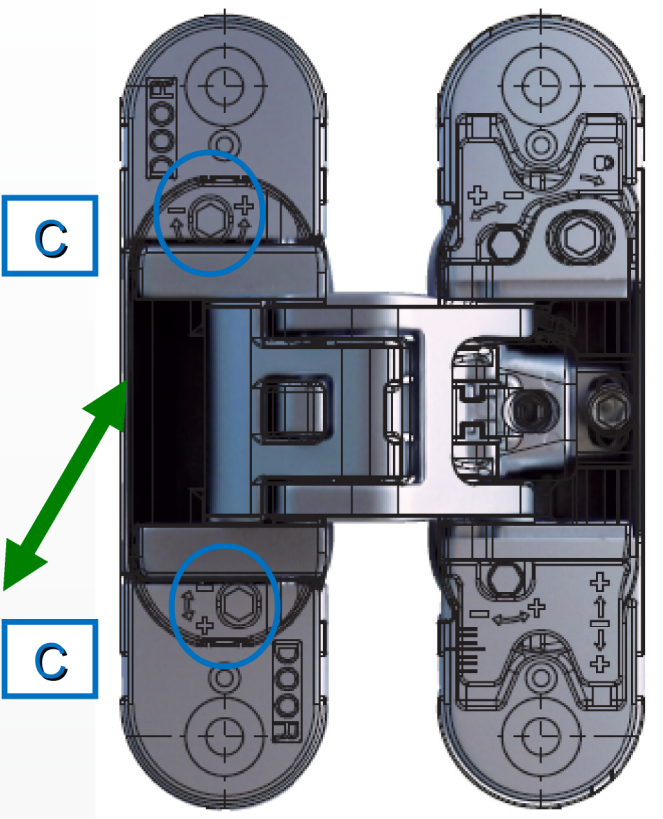
USE AN ALLEN KEY WITH
SPHERICAL HEAD

KEY
NO.4

NB! The same key is suitable
for all adjustments

Adjustments: **HORIZONTAL**

+ 3 mm



C

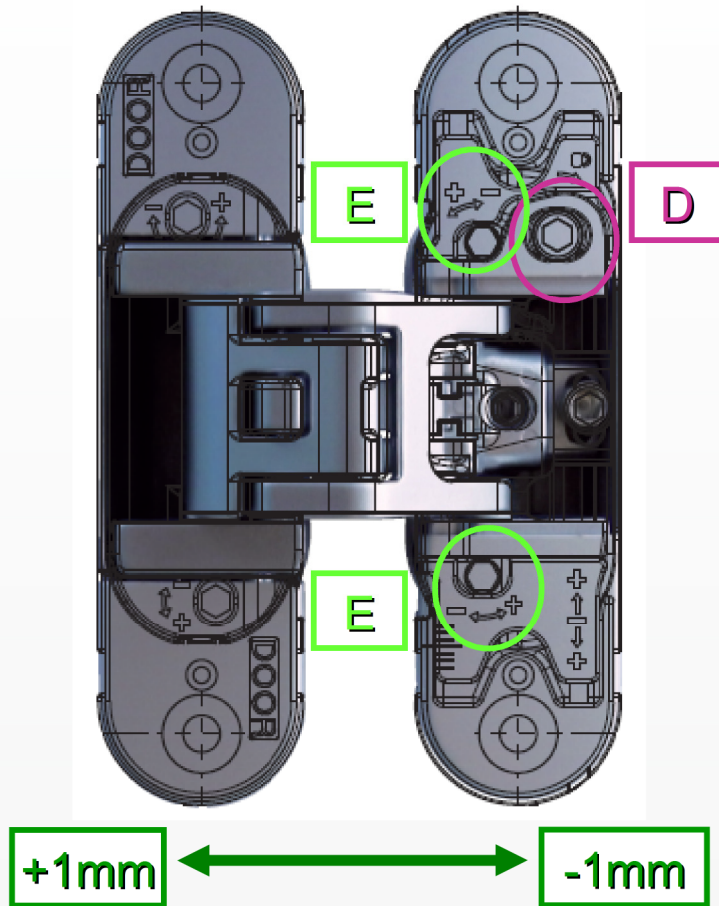
- 2 mm

- Act at the same time on screws **C** – Be careful: move the inner body in a uniform way

KEY NO.4

Adjustments – DEPTH

- Unblock screw **D**
- Operate screw **E**
- Block screw **D**



KEY
NO.4