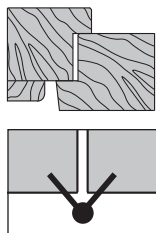


2R - Package for 1 door



Description

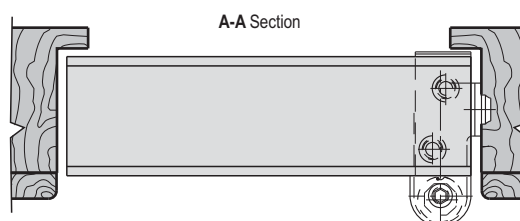
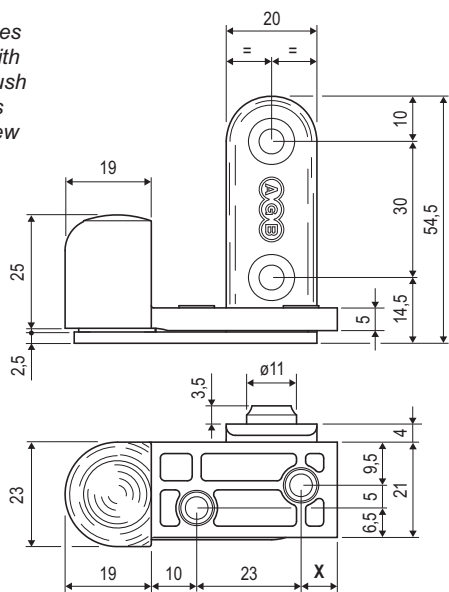
Adjustable hinge designed mainly for standard production flush interior doors at least 60 cm wide, with 45 mm standard thickness and weight up to 40 kg. Used in combination with the Mediana Evolution, Polaris XT and Revolution XT locks with central spring latch, it allows both panels and frames to be reversed, enabling the construction of two-handed doors with a 180° opening. It can be adjusted vertically and it is easy to be installed.

1 Vertical adjustment: the brass pivot in the hinge body can be adjusted using a 5 mm Allen wrench.

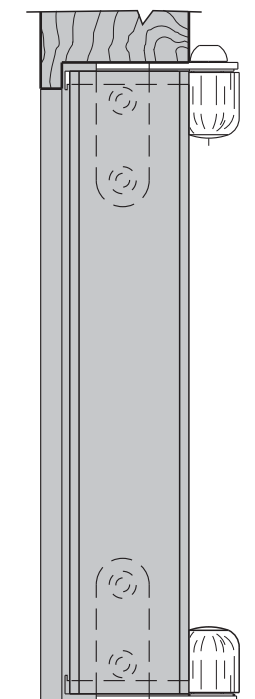
Note. For panel thickness greater than 45 mm, it is possible to use both the 41 mm and the 44 mm hinge, drilling the panel according to the hinge dimensions.

Content:

- 2 hinge bodies
- 2 squares with octagonal bush
- 2 cover caps
- 1 safety screw



B-B Section



Order specifications

Material	Article	Panel thickness	X
STEEL	E10006.41.XX	41 mm	8
	E10006.44.XX	44 mm	11
	E10006.45.XX	45 mm	13,8

Note. Refer to the price list in force to check the availability of the finishes.

